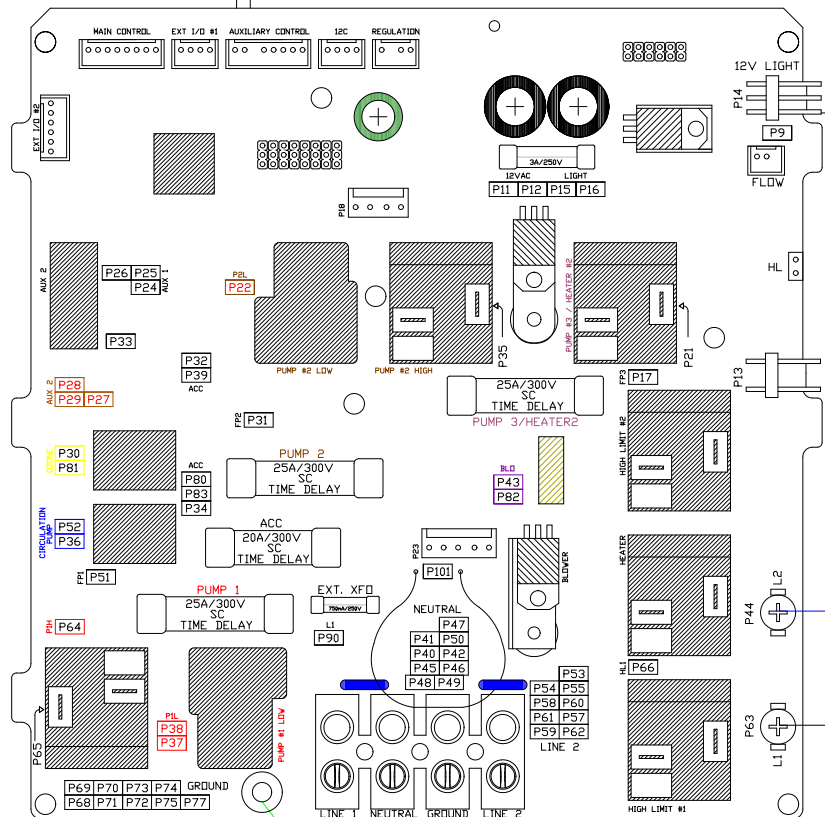


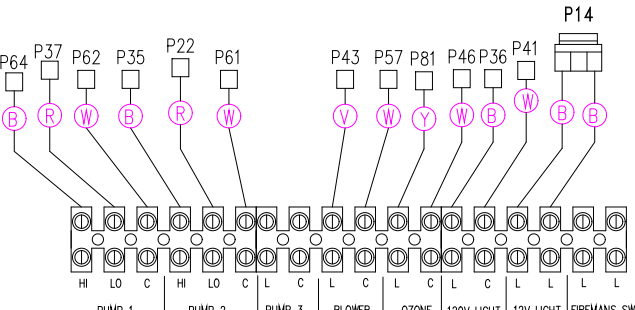
**LEGEND**

- - 1/4" QUICK CONNECT
- ▢ - 1/4" PIGGYBACK
- ⌘ - FORK CONNECTOR
- - RING CONNECTOR
- ◻ - SOCKET CONNECTOR
- △ - PIN CONNECTOR

33-0027-R1



**MAIN INPUT SERVICE  
SEE MANUAL**

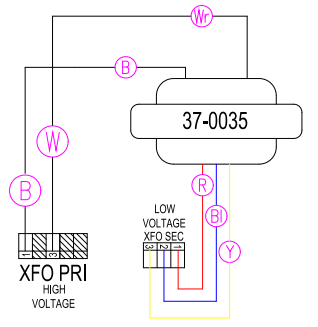


COMPONENT CONNECTION STRIP - USE COPPER CONDUCTORS ONLY



\*\*ALL COMPONENTS MUST BE GROUNDED\*\*

\*\*\*Temperature Sensor-34-0203D-50\*\*\*



**HYDRO-QUIP**  
CORONA, CA (909) 273-7575

Manufacture Notes:

Dwg. No.  
**G822A0-KLPQY-J**

Drawn MBS  
Date 11.17.10  
Rev 03  
Diagram No. **5160**

**Wire Color Code**

B - Black	G - Green
Br - Brown	Bl - Blue
R - Red	V - Violet
O - Orange	W - White
Y - Yellow	Gr - Gray